

HIGH FREQUENCY MAGNETICS

T1/E1 Through Hole Transformer

TM01103

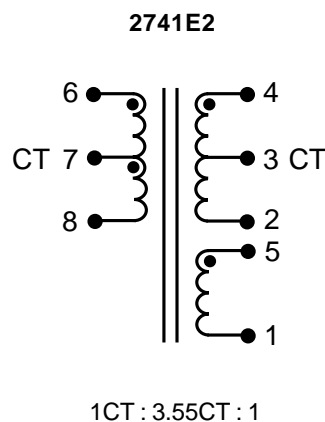
- Operates at the DS1 rate of 1.544 Mbits/s
- Provides high step-up ratio
- Provides monitoring via winding (5-1)
- Operating Temperature Range: -40° C to +85°C
- Meets IEC 695, 2-2 flammability requirements
- PWB Process Capability: Standard Printed Wiring Board assembly techniques, total-immersion cleaning
- Reliability testing: Shock, vibration, temperature cycling, temperature - humidity - bias

ELECTRICAL SPECIFICATIONS AT 25° C

Part Number	Turns Ratio ±2%		Primary Inductance mH min ¹	DCR Ω max			Leakage Inductance μH max ²	Interwinding Capacitance pF max	Minimum Interwinding Breakdown Voltage Vrms
	(6-8) : (5-1) : (4-2)	(4-2)		(6-8)	(4-2)	(5-1)			
2741E2	1 : 2.42	1 : 2.42	9.9	0.63	1.96	0.51	5.5	65	850

1. Measured at 10 kHz., 0.1 Vac
2. Measured at 100 kHz

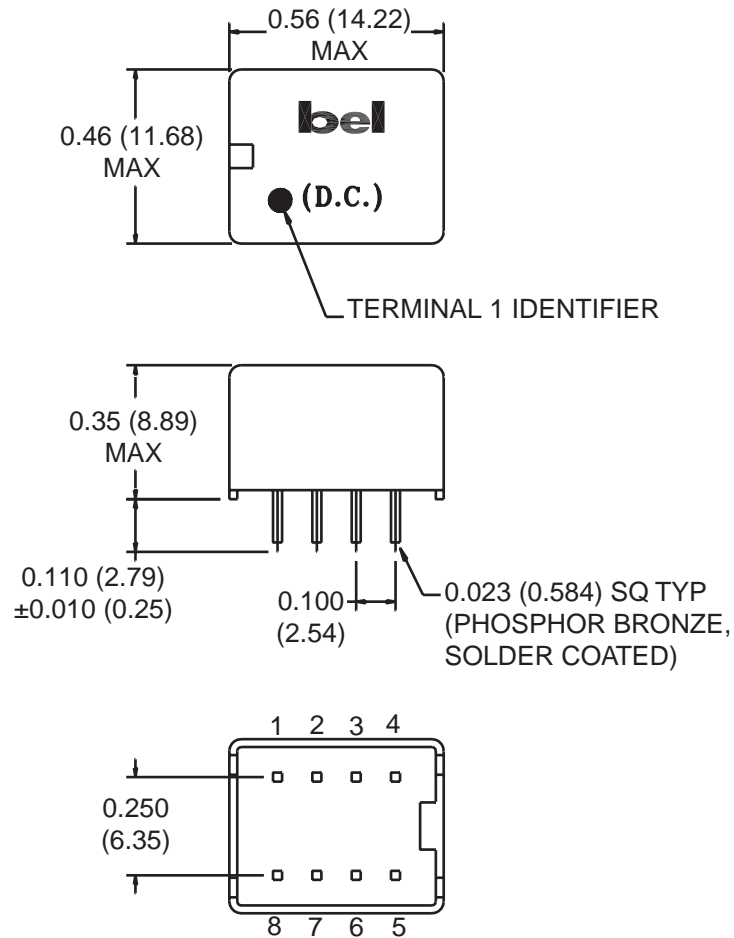
SCHEMATIC



TM01103

MECHANICAL

2741E2



Unless otherwise specified, dimensions are nominal and in inches (millimeters).

©2001 Bel Fuse Inc. Specifications subject to change without notice. 02.01

CORPORATE

Bel Fuse Inc.
198 Van Vorst Street
Jersey City, NJ 07302
Tel 201-432-0463
Fax 201-432-9542
www.belfuse.com

FAR EAST

Bel Fuse Ltd.
8F / 8 Luk Hop Street
San Po Kong
Kowloon, Hong Kong
Tel 852-2328-5515
Fax 852-2352-3706
www.belfuse.com

EUROPE

Bel Fuse Europe Ltd.
Preston Technology Management Centre
Marsh Lane, Suite F23, Preston
Lancashire, PR1 8UD, U.K.
Tel 44-1772-556601
Fax 44-1772-888366
www.belfuse.com